



DUAL CHT TEMPERATURE FOR ROTAX ENGINES 503. Diameter 57mm. °C IM-761

Preface

The IM-761 instruments have been designed especially to measure the Cylinder Head Temperature in Rotax® engines 503.

The IM-761 is available in 57 mm size.

Thanks to embedded operational amplifiers, this instrument has a high accuracy, but needs a power supply of 12V or 24V.

The IM-761 can measure two CHT channels. The needle shows the temperature of a channel, and after two seconds, shows the temperature of the other channel. The LED will light up indicating that channel is being read.

General Information

ATTENTION : The IM-761 has not undergone any safety or durability examination to Civil Aviation standards but does incorporate the latest technical development and has been thoroughly tested. Despite the Tachometer being a precision instrument, false indication or misinterpretation of data could occur. By utilizing this instrument the user acknowledges the possible danger and responsibility for all risks.



Technical data

Case:	Plastic
Weight:	220g
Suitable for:	Type "J" Sender
Power Supply:	10..30VDC
Power Current:	0.1 Amp. Max.
Scale:	100..260 °C
Subdivision scale:	2° C
Max. Deviation:	1%
Dimensions:	See sketch
Calibration:	Calibrated by the manufacturer prior to shipment.

Installation Instructions

- Install instruments in pilot's field of vision, free from vibration and glare.
- Protect the instruments against dampness and any kind of gasoline or acid.
- Pay attention to installation dimensions
- Wiring has to be carried out with good quality plastic-sheathed cable.
- When routing cables, prevent possible damage to cables from heat, vibration, shearing or crushing.
- Install a breaker or fuse of 1 Amp.

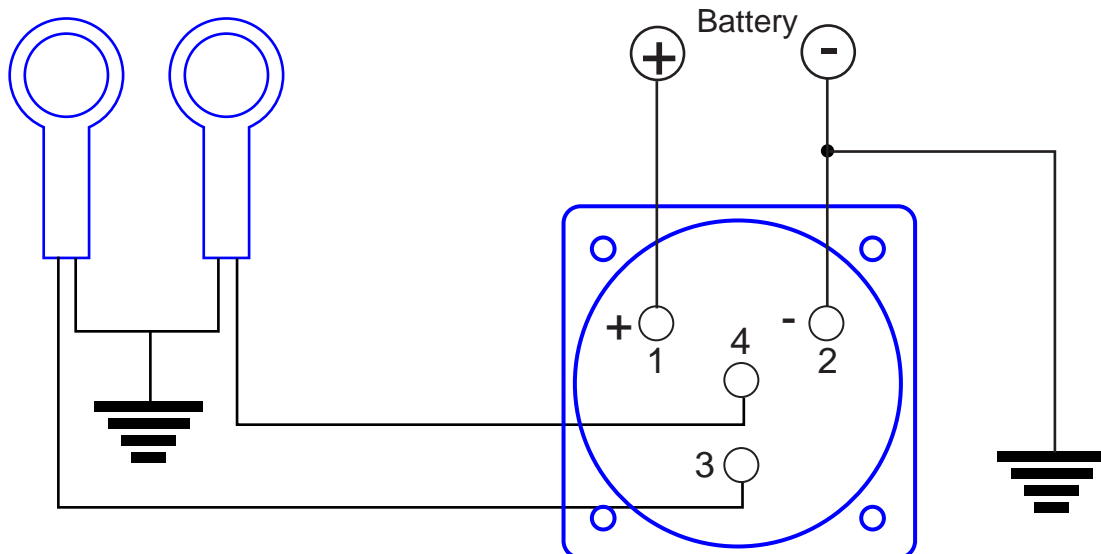
State of receipt

- Instruments packed in a plastic bag
- 4 attachment screws
- 3 Loose plugs

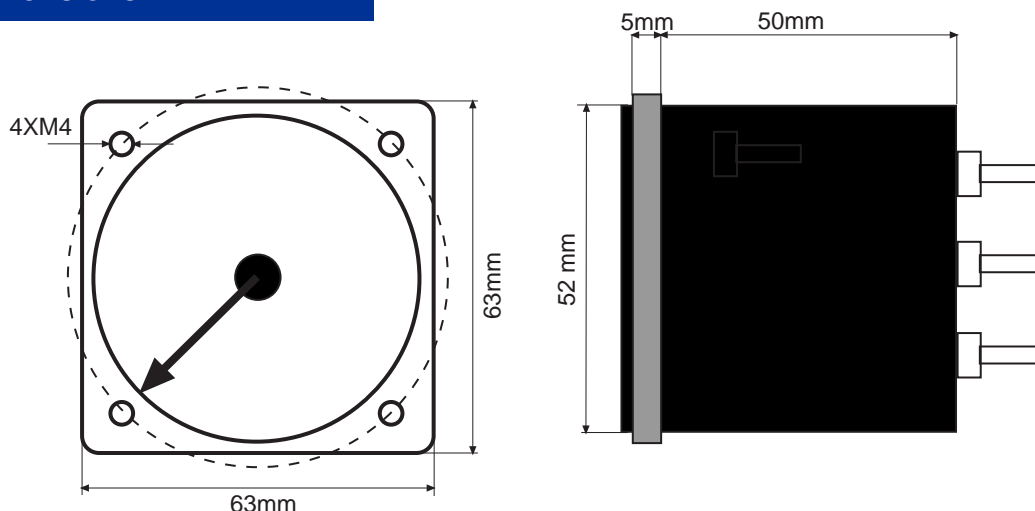
Instruments Terminals

- 1) (+) Red wire to positive terminal of battery.
- 2) (-) Black wire to negative terminal of battery.
- 3) Input to the CHT Sender (Channel 1).
- 4) Input to the CHT Sender (Channel 2).

Wire Connections



Dimensions



Sender

The Type J sender is a thermocouple consisting of two dissimilar conductors that contact each other at one or more spots. It produces a voltage when the temperature of one of the spots differs from the reference temperature at other parts of the circuit resistance which varies with the temperature.

For this reason you should never cut the wires.

Two models are available:

Ref IM-912 - Sender Type J length 2 meters

Ref IM-922 - Sender Type J length 3 meters



°C	mV	°C	mV	°C	mV
0	0	100	5.269	200	10.779
10	0.507	110	5.814	210	11.334
20	1.019	120	6.360	220	11.889
30	1.537	130	6.909	230	12.445
40	2.059	140	7.459	240	13.000
50	2.585	150	8.010	250	13.555
60	3.116	160	8.562	260	14.110
70	3.650	170	9.115	270	14.665
80	4.187	180	9.669	280	15.219
90	4.726	190	10.224	290	15.773