



OIL TEMPERATURE FOR ROTAX ENGINES 912ULS/914UL. Diameter 52mm. °F IM-556

Preface

The IM-556 instruments have been designed especially to measure the OIL Temperature in Rotax® engines 912ULS (100HP) and 914UL

The IM-556 is available in 52 mm size.

The instruments have been designed to work with both 12V and 24V systems.

The minimum instrumentation requirements for BRP ROTAX® four stroke engines include a gauge for the continuous Oil Temperature monitorization.



General Information

ATTENTION : The IM-556 has not undergone any safety or durability examination to Civil Aviation standards but does incorporate the latest technical development and has been thoroughly tested. Despite the Tachometer being a precision instrument, false indication or misinterpretation of data could occur. By utilizing this instrument the user acknowledges the possible danger and responsibility for all risks.

State of receipt

- Instruments packed in a plastic bag
- 4 attachment screws
- 3 Loose plugs

Technical data

Case:	Plastic
Weight:	220g
Suitable for:	Rotax 912 VDO Sender
Power Supply:	10..30VDC
Power Current:	0.1 Amp. Max.
Scale:	100..300 °F
Subdivision scale:	2°F
Max. Deviation:	2%
Dimensions:	See sketch
Calibration:	Calibrated by the manufacturer prior to shipment.
Red Zone*	From 100 to 120°F & 260 to 300°F.
Yellow Zone*	100 to 180°F & 230 to 260°F
Green Zone*	180 to 230°F

*Please refer to the updated User Manual of your engine BRP-ROTAX® engine for the operational limits

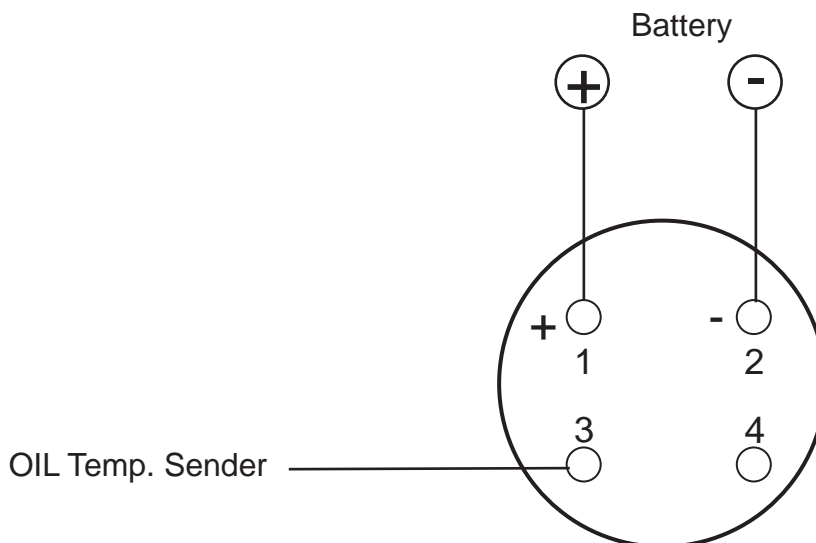
Installation Instructions

- Install instruments in pilot's field of vision, free from vibration and glare.
- Protect the instruments against dampness and any kind of gasoline or acid.
- Pay attention to installation dimensions
- Wiring has to be carried out with good quality plastic-sheathed cable.
- When routing cables, prevent possible damage to cables from heat, vibration, shearing or crushing.
- Install a breaker or fuse of 1 Amp.

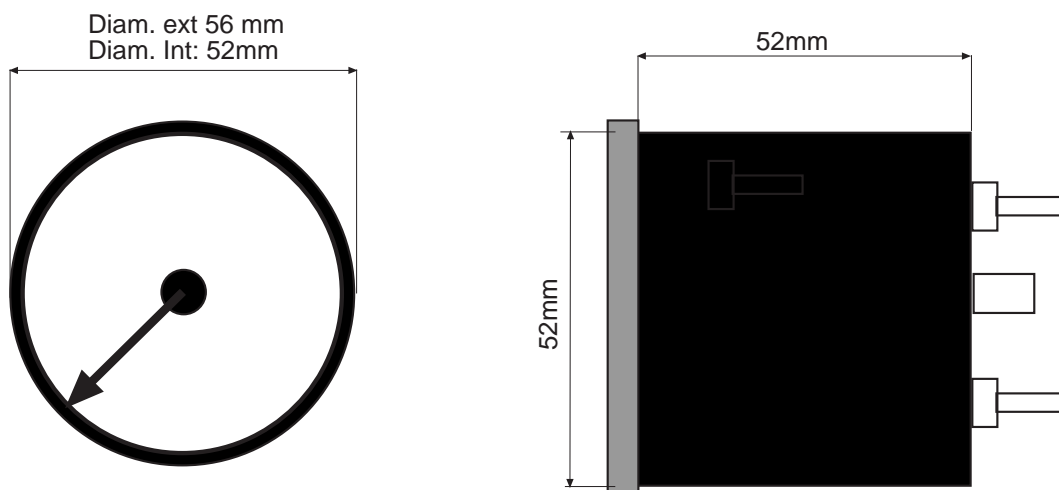
Instruments Terminals

- 1) (+) Red wire to positive terminal of battery.
- 2) (-) Black wire to negative terminal of battery.
- 3) Input to the CHT Sender.
- 4) Factory calibration input.

Wire Connections

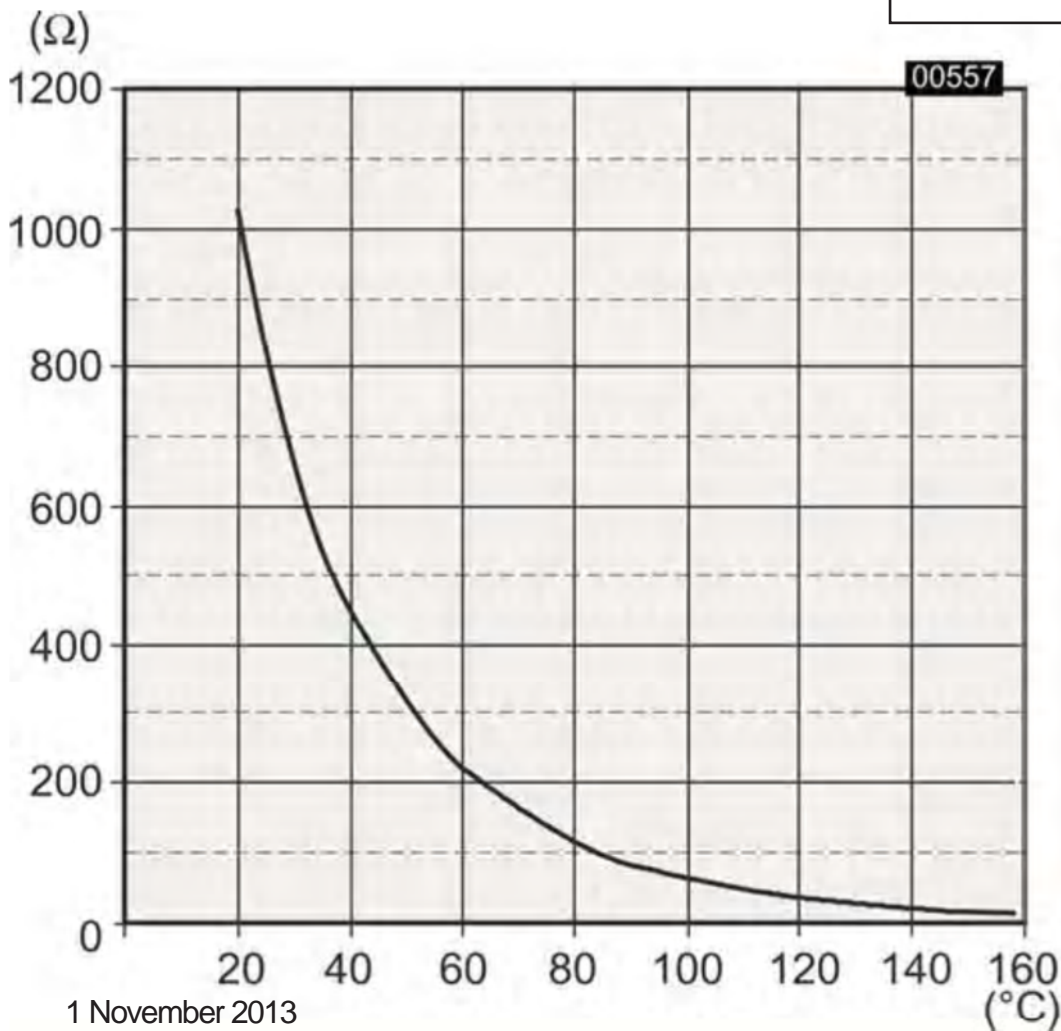
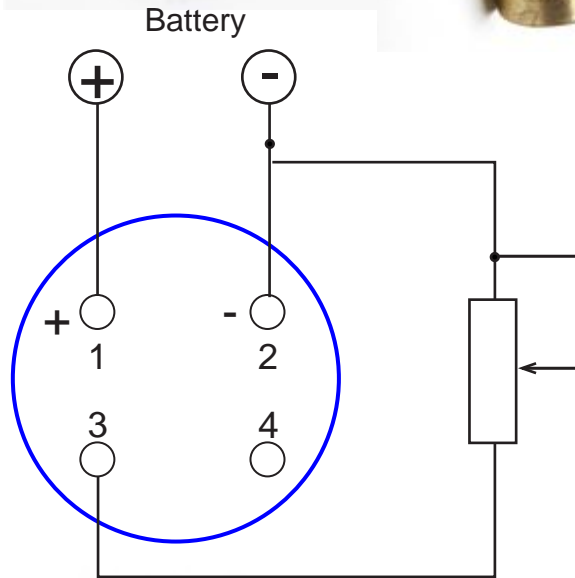


Dimensions



Test & Calibration

The VDO sender is a resistance which varies with the temperature. To check the instrument you need a 1K potentiometer and multimeter. Adjust the potentiometer to the multimeter read 62.2 Ohm. Being careful not to turn the potentiometer, connect according to Figure 1. With 62.2 Ohm, the instrument should show 100 ° C. Try with other resistance values.



°C	°F	OHM
50	122	322.8
60	140	165
70	158	133
80	176	112.5
90	194	83
100	212	62.2
110	230	47.5
120	248	36.5
130	266	28.9
140	284	23.1
150	302	18.6