



OIL PRESSURE FOR ROTAX ENGINES 912/914 WITH VDO SENDER. Diameter 57mm. °C. IM-526

Preface

The IM-526 instruments have been designed especially to measure the Oil Pressure in Rotax® engines 912/914.

The IM-526 is available in 80 mm size.

The instruments have been designed to work with both 12V and 24V systems.

The minimum instrumentation requirements for BRP ROTAX® four stroke engines include a gauge for continuous Oil Pressure monitorization.



General Information

ATTENTION : The IM-526 has not undergone any safety or durability examination to Civil Aviation standards but does incorporate the latest technical development and has been thoroughly tested. Despite the the Oil Pressure being a precision instrument, false indication or misinterpretation of data could occur. By utilizing this instrument the user acknowledges the possible danger and responsibility for all risks.

State of receipt

- Instruments packed in a plastic bag
- 4 attachment screws
- 3 Loose screws

Technical data

Case:	Plastic
Weight:	220g
Suitable for:	Rotax 912 VDO Sender
Power Supply:	10..30VDC
Power Current:	0.1 Amp. Max.
Scale:	0..8 Bar
Subdivision scale:	0.25 Bar
Max. Deviation:	2%
Dimensions:	See sketch
Calibration:	Calibrated by the manufacturer prior to shipment.
Red Zone*	From 0 to 0.8 and 7 to 8 Bar.
Yellow Zone*	0.8 to 2 Bar & 5 to 7 Bar
Green Zone*	2 to 5 Bar

*Please refer to the updated User Manual of your engine BRP-ROTAX® engine for the operational limits

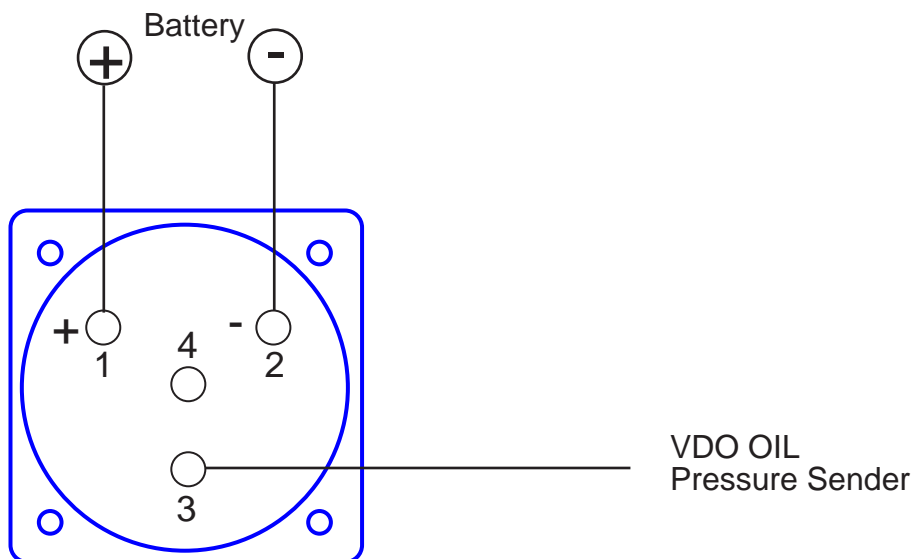
Installation Instructions

- Install instruments in pilot's field of vision, free from vibration and glare.
- Protect the instruments against dampness and any kind of gasoline or acid.
- Pay attention to installation dimensions
- Wiring has to be carried out with good quality plastic-sheathed cable.
- When routing cables, prevent possible damage to cables from heat, vibration, shearing or crushing.
- Install a breaker or fuse of 1 Amp.

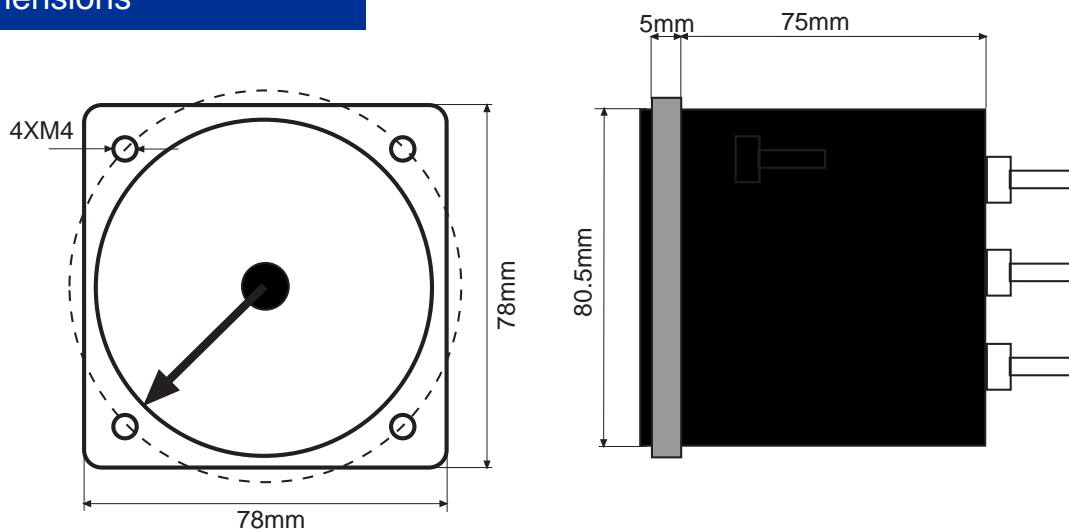
Instruments Terminals

- 1) (+) Red wire to positive terminal of battery.
- 2) (-) Black wire to negative terminal of battery.
- 3) Input to the Oil Pressure Sender.
- 4) Factory calibration input.

Wire Connections

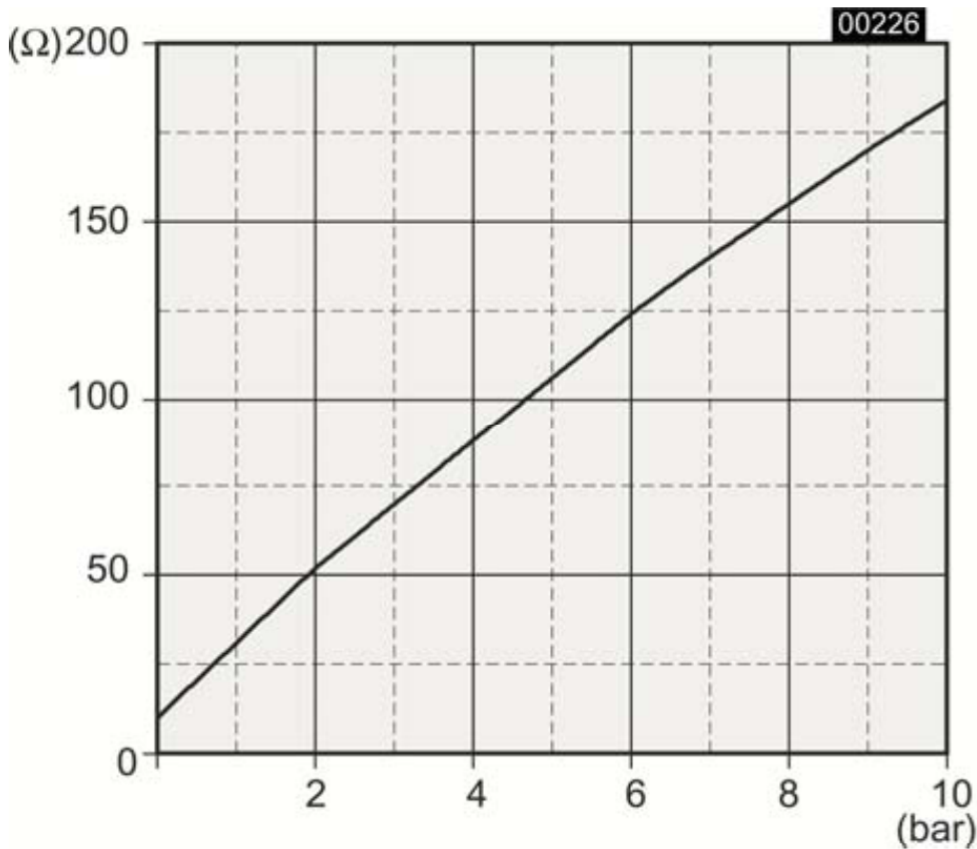
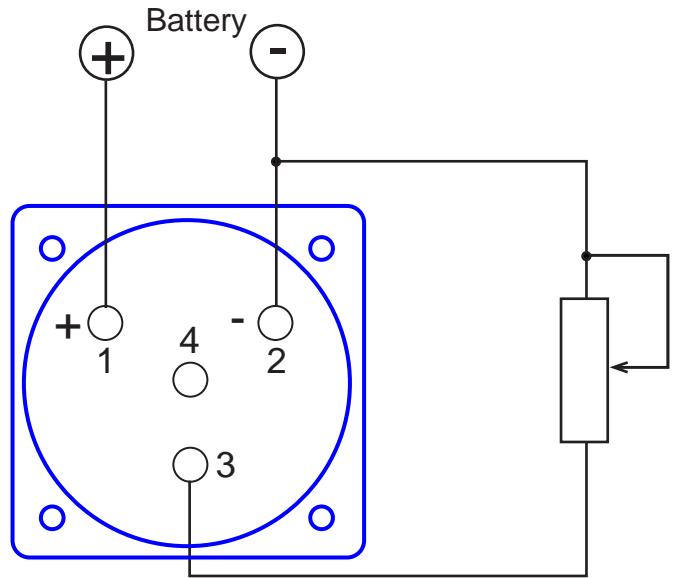
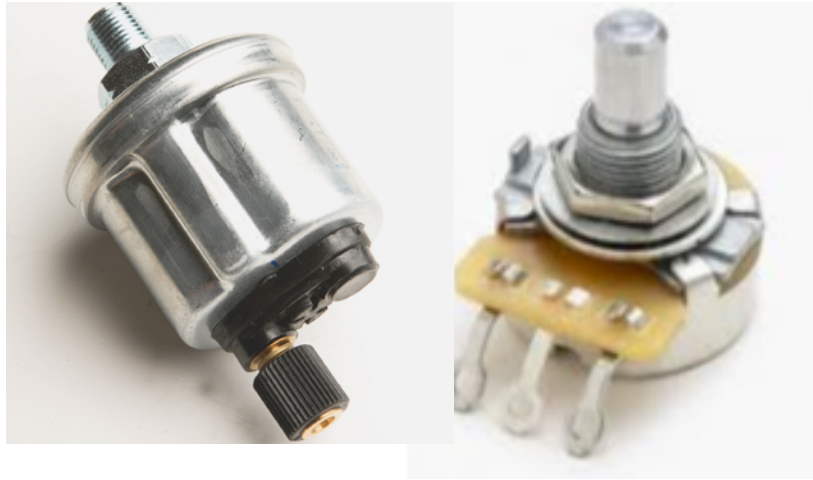


Dimensions



Test & Calibration

The OIL Pressure VDO sender is a resistance which varies with the Oil Pressure.
 To check the instrument your need a 200 Ohm potentiometer and a multimeter. Adjust the potentiometer to the multimeter read 88 Ohm. Being careful not to turn the potentiometer, connect according to Figure 1.
 With 88 Ohm, the instrument should show 4 Bar. Try with other resistance values.



BAR	OHM
0	10
1	32
2	52
3	70
4	88
5	106
6	124
7	140
8	154