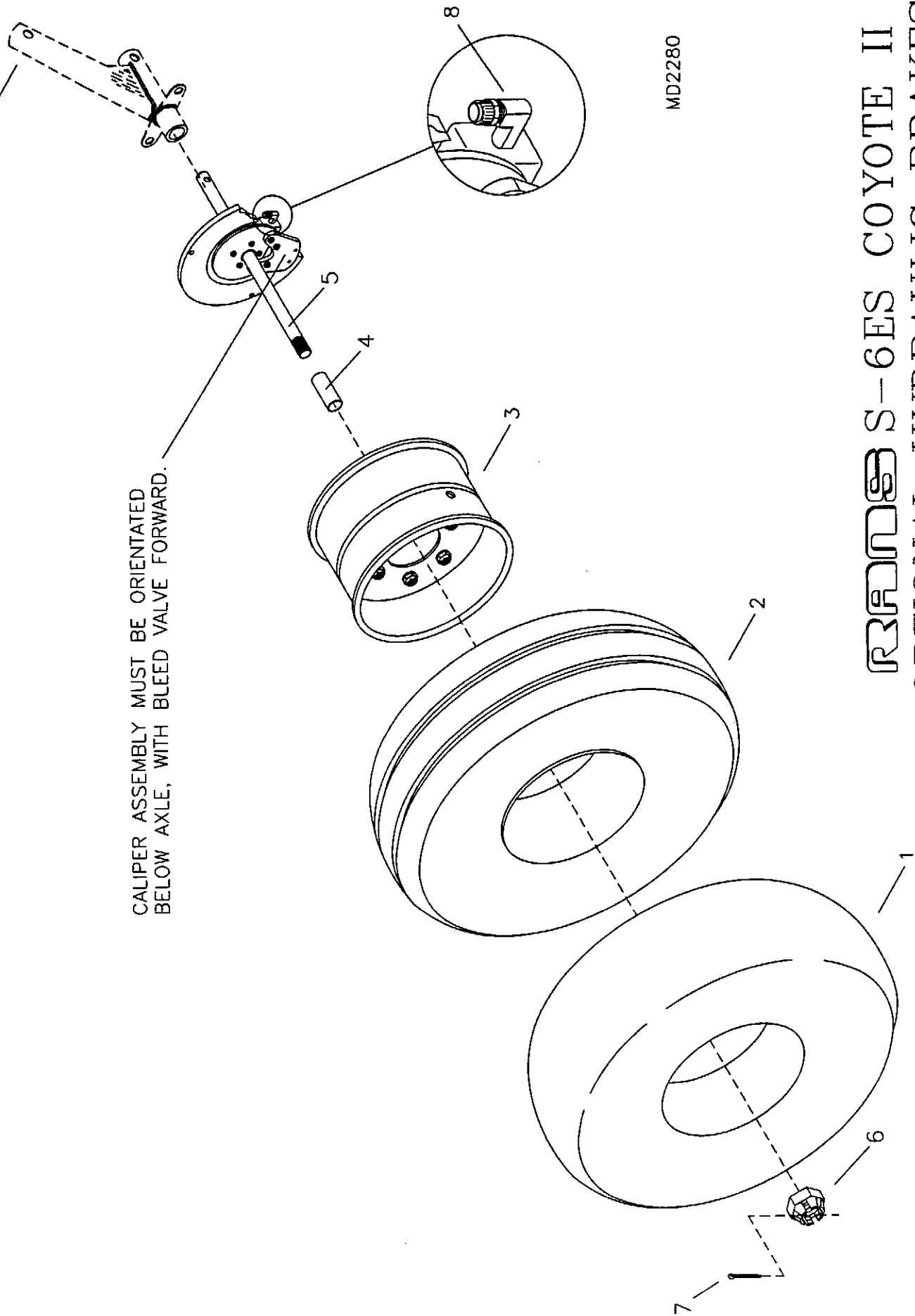


SEE MAIN LANDING GEAR

CALIPER ASSEMBLY MUST BE ORIENTATED BELOW AXLE, WITH BLEED VALVE FORWARD.



MD2280

RAMS S-6ES COYOTE II OPTIONAL HYDRAULIC BRAKES