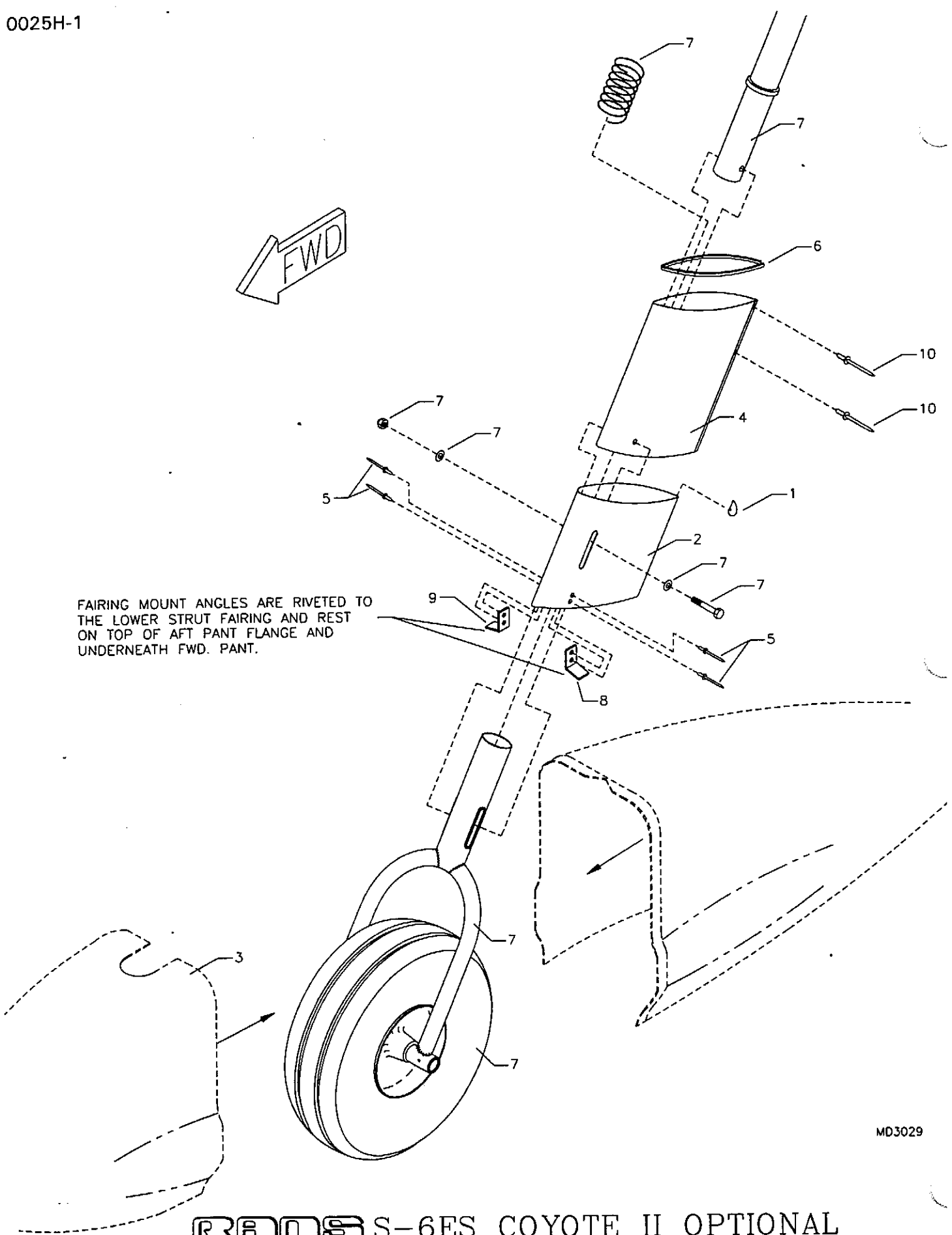


FAIRING MOUNT ANGLES ARE RIVETED TO THE LOWER STRUT FAIRING AND REST ON TOP OF AFT PANT FLANGE AND UNDERNEATH FWD. PANT.



MD3029

RANS S-6ES COYOTE II OPTIONAL NOSE WHEEL STRUT FAIRING