



PROPRIETARY ITEM - EXCEPT FOR USES EXPRESSLY GRANTED IN WRITING, INFORMATION DISCLOSED HEREON IS CONFIDENTIAL AND ALL RIGHTS RESERVED BY SOUTHCO, INC.

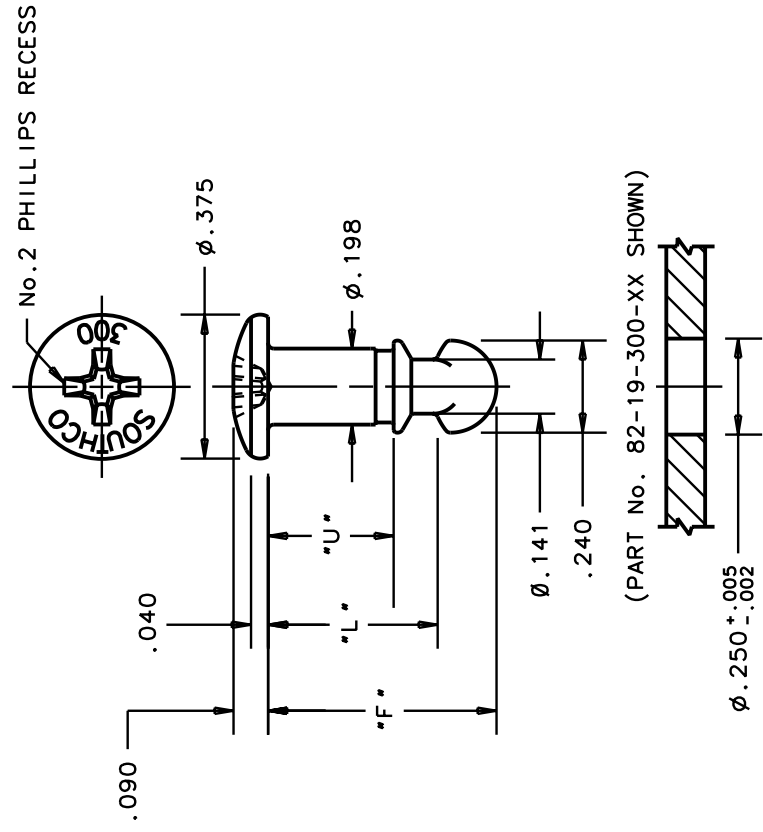
SOUTHCO No. 82 STUD FASTENER, OVAL HEAD, PHILLIPS RECESS

DATE 10 JUN 99
DRAWN MDM
CHKD CHW
SCALE 2 : 1
DRAWING NUMBER J-82-19

REV.	DATE	DRAWN	REVISION	PART No.	MATERIAL	FINISH	INCH DIMENSIONS
A	20 JUL 99	MDM	PRN: 82-456A	SEE TABLE	SEE NOTE A	SEE NOTE B	DIMENSIONS WITHOUT TOLERANCES ARE FOR REFERENCE ONLY.
B	16 MAY 00	RPL	PRN: 82-424				
C	20 JUL 00	RPL	PRN: 82-424A				
D	19 MAR 07	DAW/RLR	PRN: P2007-0398				

NOTES A- MATERIAL: XX = -13, -16, -17, -23, -31, -52, -53 : 1008 STEEL CASE HARDENED
 B- FINISH: XX = -13: NATURAL
 = -16: ZINC ALLOY PLATE, CHROMATE, PLUS SEALER
 = -17: ZINC PLATE, YELLOW CHROMATE
 = -20: PASSIVATED
 = -23: CHROME PLATED
 = -31: BLACK OXIDE
 = -43: NATURAL
 = -44: BLACK OXIDE
 = -52: BLACK ORGANIC COATING
 = -53: ZINC PLATE, BLACK CHROMATE

PART No.	U	L	F	PART No.	U	L	F
82-19-040-XX	.067	.185	.335	82-19-560-XX	.587	.705	.855
82-060-▲	.087	.205	.355	82-580-▲	.607	.725	.875
82-080-	.107	.225	.375	82-600-	.627	.745	.895
82-100-	.127	.245	.395	82-620-	.647	.765	.915
82-120-	.147	.265	.415	82-640-	.667	.785	.935
82-140-	.167	.285	.435	82-660-	.687	.805	.955
82-160-	.187	.305	.455	82-680-	.707	.825	.975
82-180-	.207	.325	.475	82-700-	.727	.845	.995
82-200-	.227	.345	.495	82-720-	.747	.865	1.015
82-220-	.247	.365	.515	82-740-	.767	.885	1.035
82-240-	.267	.385	.535	82-760-	.787	.905	1.055
82-260-	.287	.405	.555	82-780-	.807	.925	1.075
82-280-	.307	.425	.575	82-800-	.827	.945	1.095
82-300-	.327	.445	.595	82-820-	.847	.965	1.115
82-320-	.347	.465	.615	82-840-	.867	.985	1.135
82-340-	.367	.485	.635	82-860-	.887	1.005	1.155
82-360-	.387	.505	.655	82-880-	.907	1.025	1.175
82-380-	.407	.525	.675	82-900-	.927	1.045	1.195
82-400-	.427	.545	.695	82-920-	.947	1.065	1.215
82-420-	.447	.565	.715	82-940-	.967	1.085	1.235
82-440-	.467	.585	.735	82-960-	.987	1.105	1.255
82-460-	.487	.605	.755	82-980-	1.007	1.125	1.275
82-480-	.507	.625	.775	82-1000-	1.027	1.145	1.295
82-500-	.527	.645	.795	82-1040-	1.067	1.185	1.335
82-520-▼	.547	.665	.815	82-1060-▼	1.087	1.205	1.355
82-19-540-XX	.567	.685	.835	82-19-1120-XX	1.147	1.265	1.415



A4 PAPER SIZE